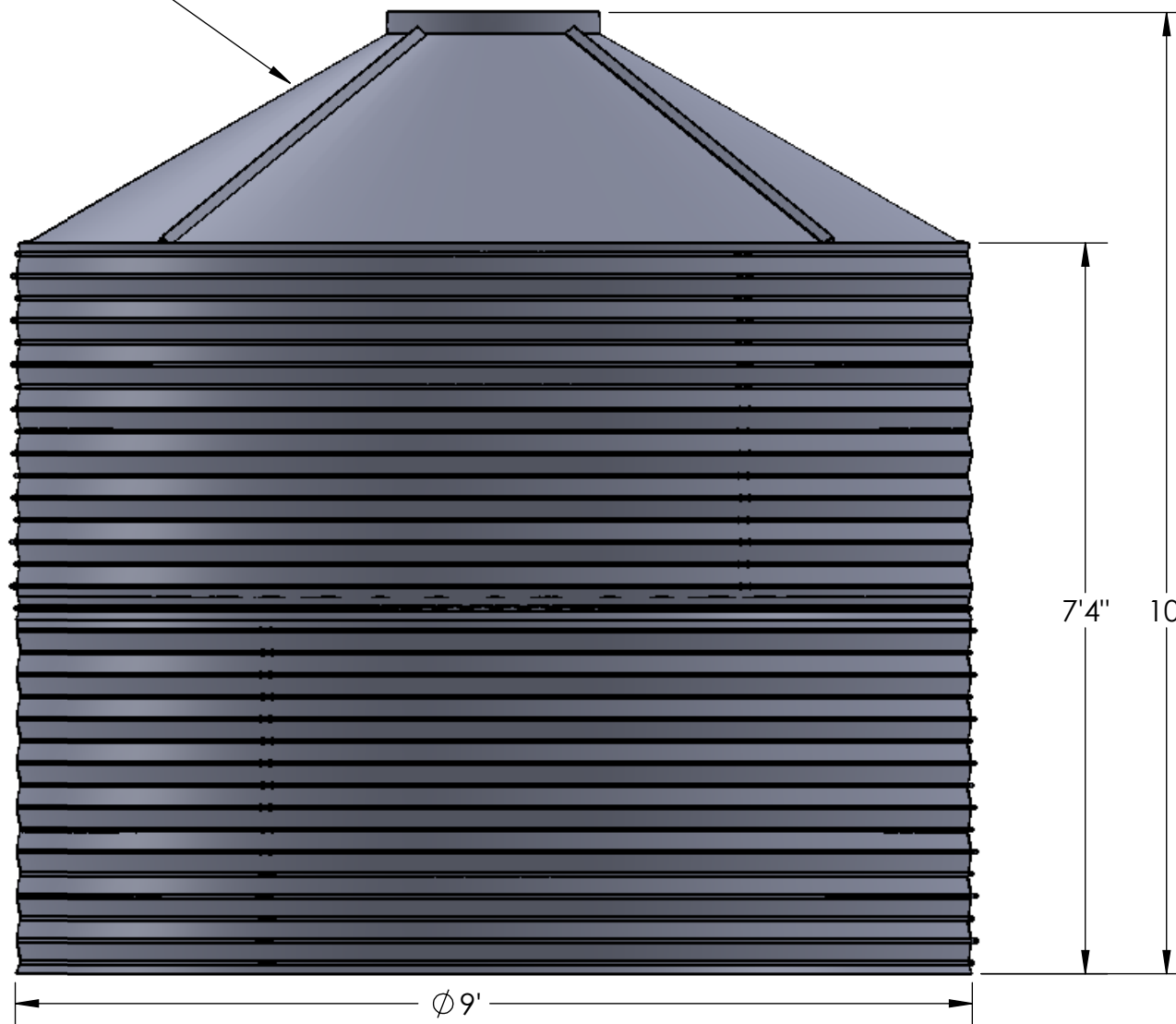
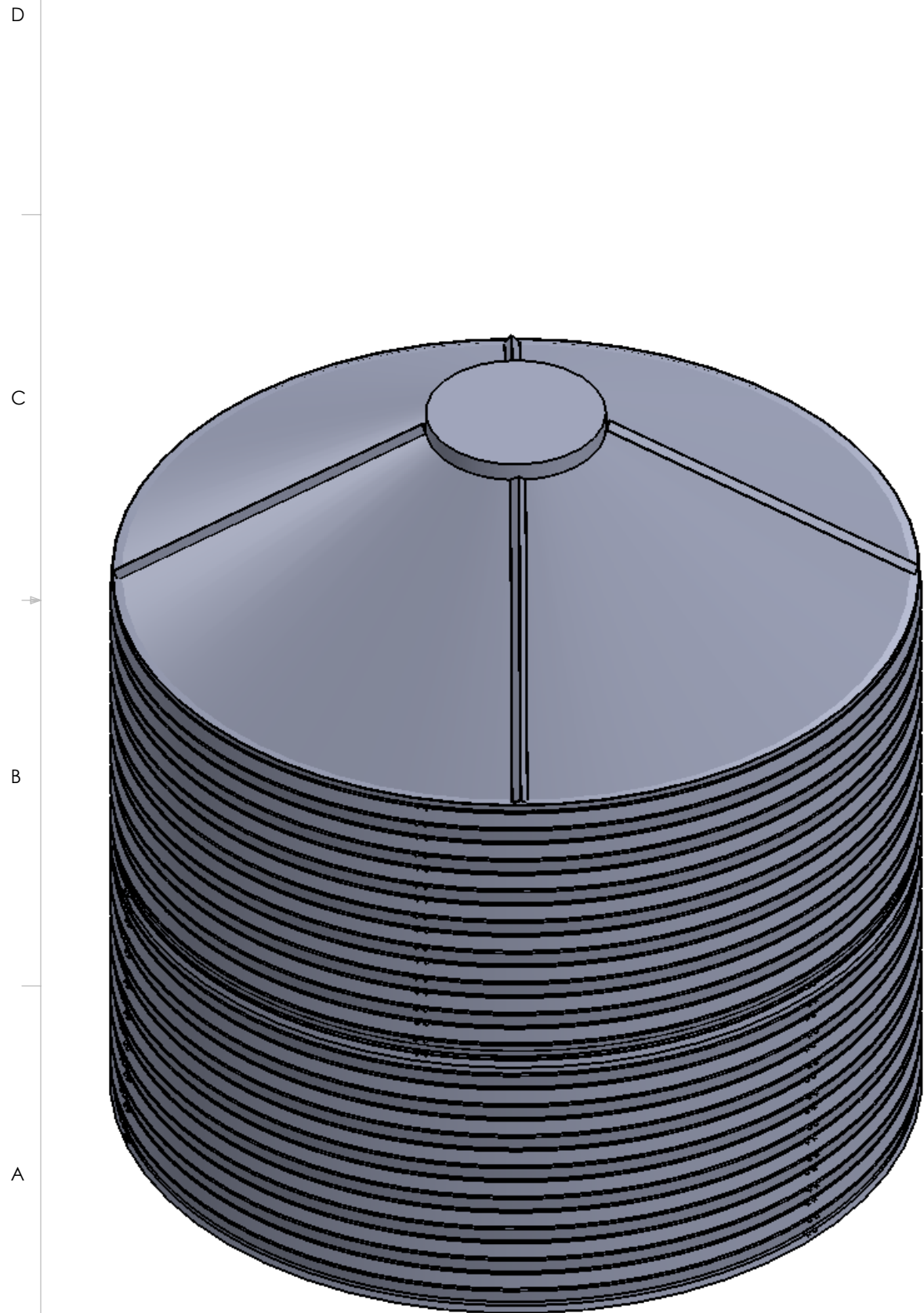


NOTES:
 1. NOMINAL CAPACITY: 3453 U.S. GALLONS

30° ROOF CONFIGURATION



PROPRIETARY AND CONFIDENTIAL
 THE INFORMATION CONTAINED IN THIS
 DRAWING IS THE SOLE PROPERTY OF
 CONTAIN WATER SYSTEMS. ANY
 REPRODUCTION IN PART OR AS A WHOLE
 WITHOUT THE WRITTEN PERMISSION OF
 CONTAIN WATER SYSTEMS IS
 PROHIBITED.

UNLESS OTHERWISE SPECIFIED:
 DIMENSIONS ARE IN INCHES
 TOLERANCES:
 FRACTIONAL ± 1/16"
 ANGULAR: MACH ± .5° BEND ± .5°
 TWO PLACE DECIMAL ± .02"
 THREE PLACE DECIMAL ± .005"

INTERPRET GEOMETRIC
 TOLERANCING PER: ASME Y14.5
 MATERIAL MIXED
 FINISH N/A
 DO NOT SCALE DRAWING

	NAME	DATE
DRAWN	AP	9.28.18
CHECKED		
ENG APPR.		
MFG APPR.		
Q.A.		
COMMENTS: SALES DRAWING-TANK GENERAL ARRANGEMENT		



TITLE:
GENERAL ARRANGEMENT
CGS 9'
2 TIER

SIZE	DWG. NO.	REV
B	CGS-902-30	1

SCALE: 1:20 WEIGHT: 520 LBS SHEET 1 OF 1